



**Akcelport industries**

13, Shah Industrial Estate, Deonar, Chembur, Mumbai - 400088, INDIA.

Tel. : +91 - 22 - 2555 5888, Telefax : +91 - 22 - 2506 4667

E-mail : [mail@akcelport.com](mailto:mail@akcelport.com), Web : [www.akcelport.com](http://www.akcelport.com)

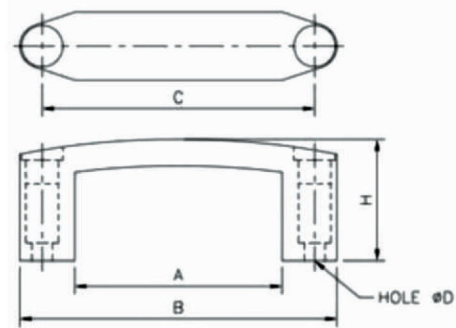
Product Catalog

**“ Quality is not just controlled, it’s IN-BUILT ”**

# HANDLES



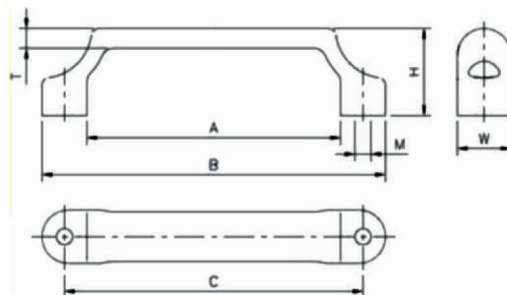
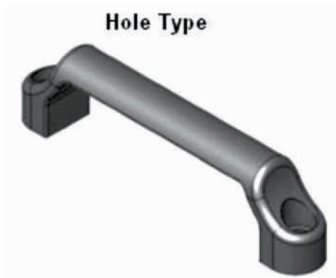
## POLYAMIDE U HANDLES - Type A



Code No.	A	B	C	D	H
PHDL10A	70	117	90.5	7	41
PHDL11A	100	137	117	6.5	39



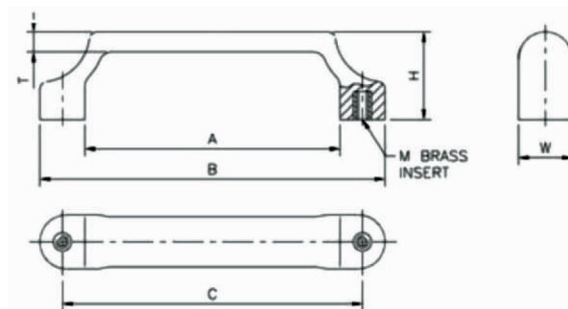
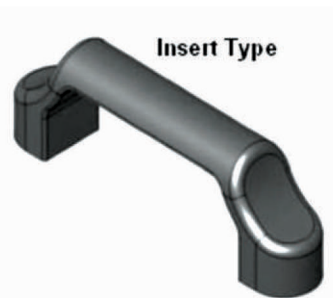
## POLYAMIDE U HANDLES - Type B



Code No.	A	B	C	H	W	M	T
PHDL92B	74	110	92	38	22	6	8
PHDL120B	102	138	120	45	24	6	10
PHDL150B	132	168	150	52	25	6	10



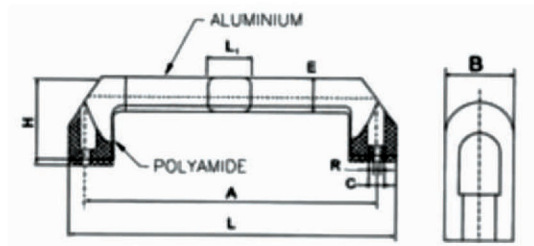
## POLYAMIDE U HANDLES - Type C



Code No.	A	B	C	H	W	M	T
PHDL92C	74	110	92	38	22	M6	8
PHDL116C	98	134	116	40	24	M6	10



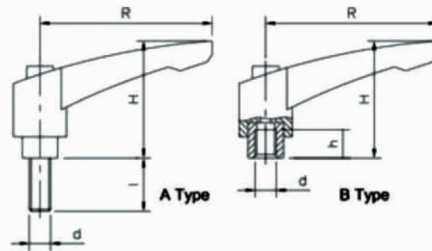
## POLYAMIDE HANDLES WITH SQUARE ALUMINIUM ROD - Type D



Code No.	A	L	B	H	Lt	E	C	R
PHDL250D	250	275	28	56	28	23	12.8	8.5
PHDL300D	300	325	28	56	28	23	12.8	8.5
PHDL350D	350	375	28	56	28	23	12.8	8.5
PHDL400D	400	425	28	56	28	23	12.8	8.5
PHDL500D	500	525	28	56	28	23	12.8	8.5



## ADJUSTABLE PLASTIC HANDLES - PAH SERIES



CODE NO.	R mm	d mm	l mm	h mm	H mm
PAH330B	45	M6		8	33
PAH331B	45	M6	15		33
PAH332B	45	M6	20		33
PAH333B	45	M6	25		33
PAH334B	45	M6	30		33
PAH336B	45	M6	40		33
PAH337B	45	M6	50		33
PAH440B	65	M8		12	43
PAH442B	65	M8	20		43
PAH443B	65	M8	25		43
PAH444B	65	M8	30		43
PAH446B	65	M8	40		43
PAH447B	65	M8	50		43

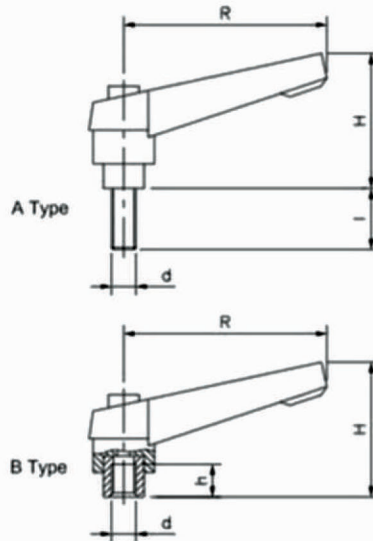
CODE NO.	R mm	d mm	l mm	h mm	H mm
PAH550B	80	M10			54
PAH552B	80	M10	20		54
PAH553B	80	M10	25		54
PAH554B	80	M10	30		54
PAH556B	80	M10	40		54
PAH557B	80	M10	50		54
PAH558B	80	M10	63		54
PAH660B	95	M12		22	63
PAH663B	95	M12	25		63
PAH664B	95	M12	30		63
PAH666B	95	M12	40		63
PAH667B	95	M12	50		63
PAH668B	95	M12	60		63



# ADJUSTABLE HANDLES (ZINC ALLOY)



Material - Zinc alloy (Body)  
 - E235A (Thread parts)  
 Color - Black & Orange



CODE NO.	R mm	d mm	l mm	h mm	H mm
ZAH320	50	M5		8	32
ZAH321	50	M5	16		32
ZAH322	50	M5	20		32
ZAH323	50	M5	25		32
ZAH324	50	M5	30		32
ZAH330	50	M6		8	32
ZAH331	50	M6	16		32
ZAH332	50	M6	20		32
ZAH333	50	M6	25		32
ZAH334	50	M6	32		32
ZAH336	50	M6	40		32
ZAH430	63	M6		10	43
ZAH440	63	M8		10	43
ZAH442	63	M8	20		43
ZAH443	63	M8	25		43
ZAH444	63	M8	32		43
ZAH446	63	M8	40		43
ZAH447	63	M8	50		43
ZAH448	63	M8	60		43
ZAH540	80	M8		12	50

CODE NO.	R mm	d mm	l mm	h mm	H mm
ZAH550	80	M10		12	50
ZAH552	80	M10	20		50
ZAH553	80	M10	25		50
ZAH554	80	M10	32		50
ZAH556	80	M10	40		50
ZAH557	80	M10	50		50
ZAH558	80	M10	63		50
ZAH559	80	M10	80		50
ZAH650	95	M10		15	58
ZAH660	95	M12		15	58
ZAH663	95	M12	25		58
ZAH664	95	M12	32		58
ZAH666	95	M12	40		58
ZAH667	95	M12	50		58
ZAH668	95	M12	63		58
ZAH669	95	M12	80		58
ZAH880	114	M16		18	70
ZAH886	114	M16	40		70
ZAH887	114	M16	50		70
ZAH888	114	M16	63		70

Insert "I" is optional